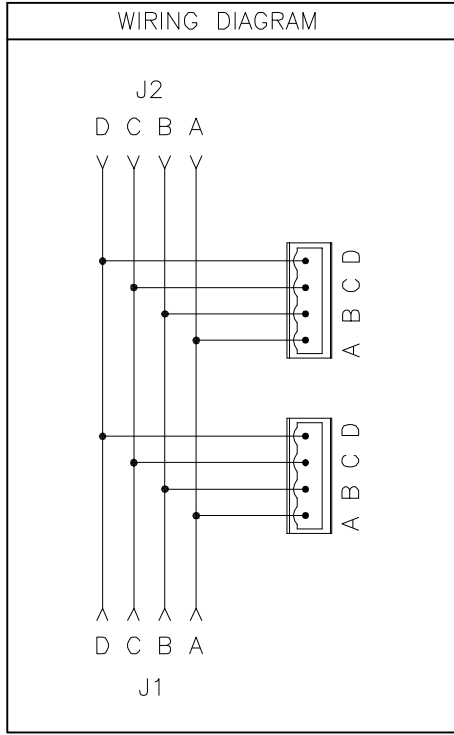
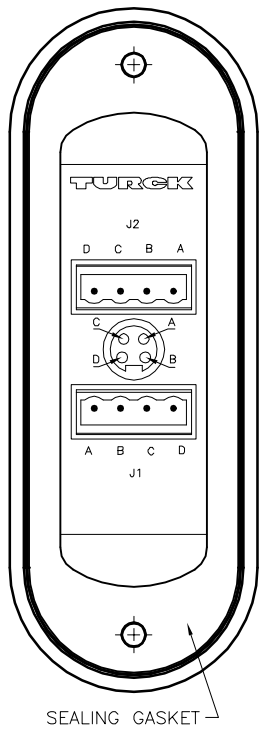
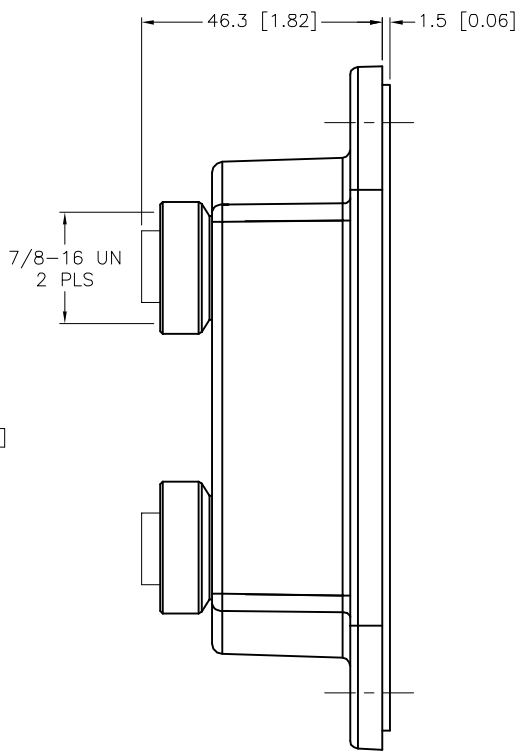
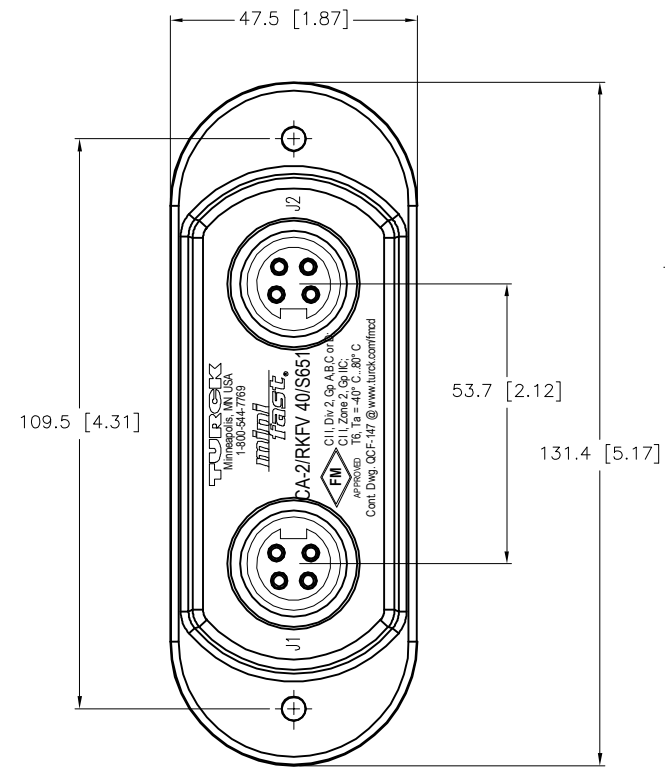


J1, J2 CONNECTORS	TERMINAL BLOCK PLUGS	TERMINAL PLUGS INCLUDED	COVER SCREWS INCLUDED	SPECIFICATIONS	
			<p>FORM 8 CONDUIT BODIES: 10-24 SCREWS</p> <p>MARK 9 CONDUIT BODIES: 8-32 SCREWS</p>	HOUSING MATERIAL/COLOR	NYLON 66 - 33% GLASS FILLED/BLACK
				RECEPTACLE HOUSING MATERIAL/FINISH	STAINLESS STEEL/PASSIVATED
				CONTACT CARRIERS/COLOR	TPU/BLACK
				CONTACT MATERIAL/PLATING	BRASS/GOLD
				OPERATING VOLTAGE	250 V
				OPERATING CURRENT	9.0 A PER CONDUCTOR
				PROTECTION CLASS to DIN 40050	IP 67 - ONLY WHEN ALL RECEPTACLES ARE COVERED WITH PLUGS OR CONNECTED
				OPERATING TEMPERATURE	-30°C to +80°C (-22°F to +176°F)



SOURCE DRAWING - FOR REFERENCE ONLY

NOTES:  
1. "/S651" DESIGNATES PARALLEL WIRING.

RELATED DOCUMENTS 1. 2. 3. 4.	3RD ANGLE PROJECTION 	THIS DRAWING IS CONFIDENTIAL AND THE PROPERTY OF TURCK INC. USE OF THIS DOCUMENT WITHOUT WRITTEN PERMISSION IS PROHIBITED.		3000 CAMPUS DRIVE MINNEAPOLIS, MN 55441 1-800-544-7769 (763) 553-7300 (763) 553-0708 fax www.turck.us		
		MATERIAL  SEE SPECIFICATIONS	DRFT DD APVD DD	DATE 07/16/03 SCALE 1=1.5	DESCRIPTION CA-2/RKFV 40/S651	
		FINISH  SEE SPECIFICATIONS	UNIT OF MEASUREMENT <b>MILLIMETER [ INCH ]</b>			
		CONTACT TURCK FOR MORE INFORMATION		DO NOT SCALE THIS DRAWING		FILE: U0914-67

